

# UTS SALES AND REPAIRS

A SAFER WAY TO REACH NEW HEIGHTS

## BS 8620:2016 PODIUM

Instruction/Safety Manual Self Closing Mobile 1 Person Low Level Working Platform, 0.75m, 1.0m platform height.

Maximum safety working load 150Kg

For more information, please contact us via:

Phone: 01227 860085

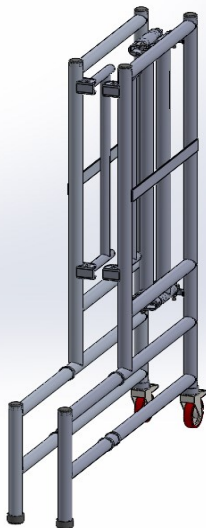
Email: [info@towersandpodiums.co.uk](mailto:info@towersandpodiums.co.uk)

Website: [www.towersandpodiums.co.uk](http://www.towersandpodiums.co.uk)

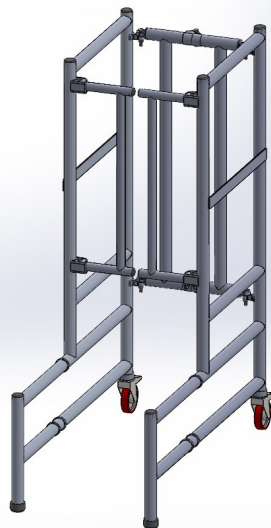
**Always** carry out a risk assessment for each task before you start work, to ensure BS8620:2016 Podium is the correct mode of access for the task that is being undertaken.



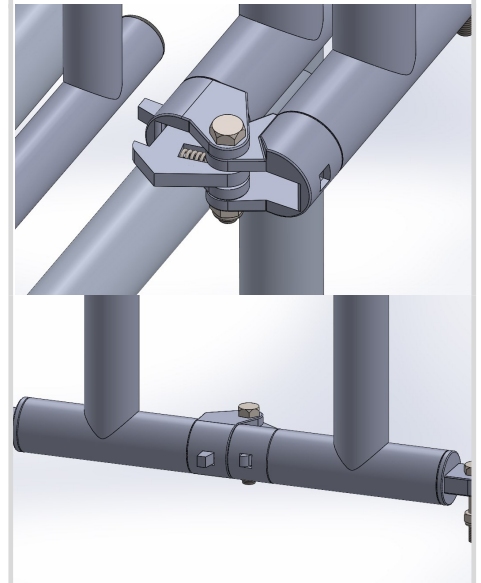
1. With Podium closed, move into position and lock caster wheels.



2. Unfold rear frame of the Podium



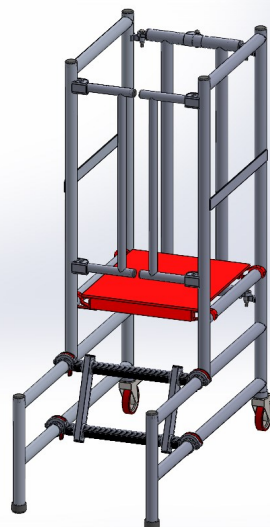
3. Ensure the bottom locking elbow has engaged.



4. Push ladder hooks onto lowest rung between the guides until it locks. Now repeat for top of ladder.



5. Hook on platform at chosen height and turn wind lock to closed position.



6. Attach stabilisers by tightening the palm wheel and coupler.

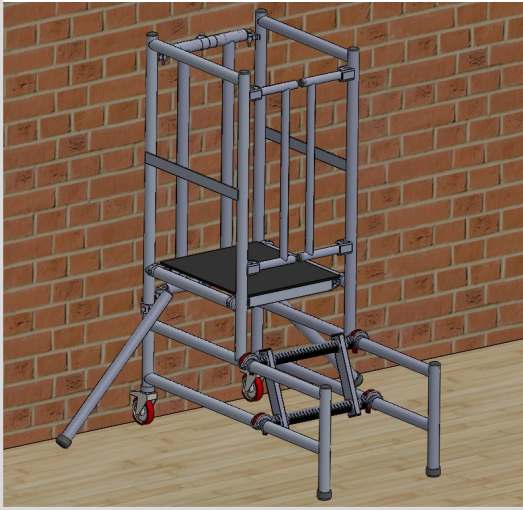




# CONFIGURATION OPTIONS

**Important:** For all configuration options ensure that all stabiliser clamps are fully tightened to ensure safe secure use.

1. Rear elevation against a wall. Position both stabilisers at 90° from the Podium



2. Rear and side elevation against a wall. Position stabiliser at 90° from the Podium



3. Side elevation against a wall. Position 1 stabilisers at 90° from the Podium, and 1 parallel to the wall



4. In open area, working at rear or overhead, put stabilisers at 45° from body as shown in picture.



5. In open area, working over sides or overhead, put stabilisers at 90° from body as shown in picture.



## Component List:

- 1 x Main Frame
- 1 x Access Ladder
- 1 x Platform
- 2 x Stabilisers

All replacements can be purchased directly from UTS Sales and Repairs

## UTS Sales and Repairs

Unit 1A  
Canterbury Industrial Park  
Island road  
Hersden  
Kent  
CT3 4HQ

01227 860085

[www.towersandpodiums.co.uk](http://www.towersandpodiums.co.uk)



Read the instructions



Inspect before use



Face the access when ascending and descending



Only ascend or descend the LLWP using the access provided



Ensure all brakes are locked



Ensure side protection gate is closed and secured before use



Do not use on loose or slippery surfaces



Never more than one person



Do not overreach



Never stand on the side protection or use boxes, stepladders or other objects to gain extra height



Do not use damaged equipment



Do not use on sloping or uneven surfaces



Working Platform must be level



Never work near powerlines or other electrical equipment



Never use as a means of access to another place



Never stand on the access ladder to work



Never move when a person is standing on a workplatform



Beware of finger traps where these potentially exist

**UTS**  
SALES AND REPAIRS

TARGETMARK  
CERTIFIED

BS 8620:2016

TM1005  
testandresearch.org



**MADE IN BRITAIN**